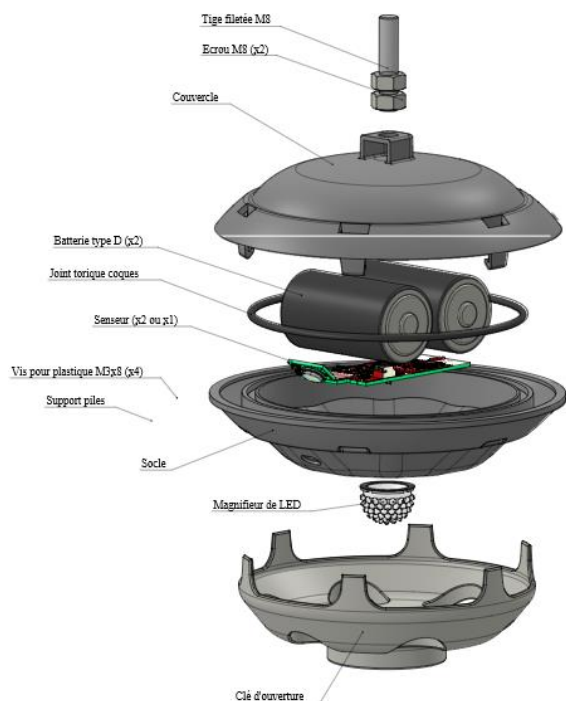


Infrared Laser Sensor with LED indicator

The Onesitu's "oS200" sensor is the latest sensor version developed by Onesitu. With its embedded innovation, this sensor reshapes existing bay counting and guidance solutions for indoor parking. It has been designed to optimize parking management in existing indoor car parks.

This wireless and autonomous infrared laser sensor - powered by a battery - is equipped with a blink RGB LED indicator which shows whether a parking space is occupied or not.

It features two guidance versions: 1 bay or 2 bays. Installation is quick and easy. No cabling or road works required.




Features

Detection method

- Infrared laser - Time of Flight (ToF)
- Detection accuracy **≥ 99 %**
- Detection range **3 m**
- Next-gen 32 STM mini controller
- Measurement frequency **0.2 Hz**

Communication

- Radio frequency **868 MHz**
- Exchange protocol  **DASH7**
- Radio range **150 m**
- FSK modulation (full duplex)
- Remote configuration & calibration
- Remote monitoring software updates (OTA)
- Multipoint peer-to-peer architecture

Connectivity & Interactivity

- ▶ RFID/NFC
- ▶ Bluetooth Low Energy (BLE), iBeacon
- ▶ Ultra Low Power RGB LED indicator (synchronous blink flash)
- ▶ Smart Lighting based on occupancy rates

Specifications

Dimensions

Diameter	150 mm
Height	60 mm
Height	Between 2.20 and 2.70 m
Total weight	450 g
Materials	ABS
Attachment method	Screwed on stem
Sensor color	RAL 7043 black

Resistance to weather and external conditions

Temperature range	-30°C to +55°C
Protection	IP65
Resistance	Dust, water splashing in every direction (including rain)

High sealing and inviolability properties



Key figures

≥ 99 %

Magnetic – Detection accuracy

2 sec.

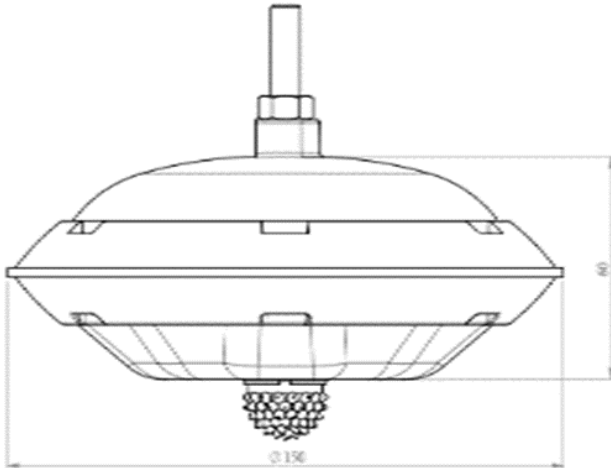
Blink rate

< 5 sec.

Sensor status update

Autonomy

- Parking bay counting ≥ 5 years
- Battery type 2 3.6V lithium AA batteries
Li-SOCl₂
- Battery capacity 38,000 mAh



Use cases

- Presence detection for bay counting and dynamic guidance over indoor parking zones
- Programmable LED color to manage all bay types (e.g. reduced mobility, electric, family)
- iBeacon: push notifications sent to smartphones
- Remote space booking

Installation

- Easy installation and commissioning, doable by any service provider
- No cabling or road works required
- Number of connected bays can be expanded simply by adding extra sensors

Maintenance

- Remote maintenance and diagnostics
- Battery life can be monitored
- Defects are identified automatically
- Maintenance takes place on site by a simple sensor swap
- 2-year warranty on parts and labor

Available versions

- ▶ oS200-1S version – 1 sensor per bay
- ▶ oS200-2S version – 1 sensor per 2 bays

French Fab

- ▶ Manufactured and assembled in French ISO 9001-certified plants.
- ▶ Compatible with European standards



Website: <https://onesitu.circet.fr/en/>